



Datos dimensionales (Milímetros)
Dimensional data (Inches)

A	B	C	D	E	L	M	N
± 0.05	± 0.05	REF.	MIN.	MAX.	± 0.5	± 0.5	± 0.12
10	21.0	17.0	24.0	22.5	14.5	5.5	6.6
12	23.0	19.0	26.0	25.0	15.0	5.5	6.6
14	25.0	21.0	30.0	28.5	17.0	5.5	6.6
15	27.0	23.0	30.0	28.5	17.0	5.5	6.6
16	27.0	23.0	30.0	28.5	17.0	5.5	6.6
18	33.0	27.0	33.0	32.0	19.5	7.0	7.5
19	35.0	31.0	38.0	37.0	21.5	7.0	7.5
20	35.0	29.0	38.0	37.0	21.5	7.0	7.5
22	37.0	31.0	38.0	37.0	21.5	7.0	7.5
24	39.0	33.0	44.0	42.5	22.5	7.0	7.5
25	40.0	34.0	44.0	42.5	23.0	7.0	7.5
28	43.0	37.0	50.0	49.0	26.5	7.0	7.5
30	45.0	39.0	50.0	49.0	26.5	7.0	7.5
32	48.0	42.0	55.0	53.5	27.5	7.0	7.5
33	48.0	42.0	55.0	53.5	27.5	7.0	7.5
35	50.0	44.0	59.0	57.0	28.5	7.0	7.5
38	56.0	49.0	61.0	59.0	30.0	8.0	9.0
40	58.0	51.0	64.0	62.0	30.0	8.0	9.0
42	61.0	57.0	67.0	65.5	30.0	8.0	9.0
43	61.0	54.0	67.0	65.5	30.0	8.0	9.0
45	63.0	56.0	70.0	68.0	30.0	8.0	9.0
48	66.0	59.0	74.0	70.5	30.5	8.0	9.0
50	70.0	62.0	77.0	74.0	30.5	8.5	9.5
53	73.0	65.0	81.0	78.5	33.0	8.5	11.0
55	75.0	67.0	83.0	81.0	35.0	8.5	11.0
58	78.0	70.0	88.0	85.5	37.0	8.5	11.0
60	80.0	72.0	91.0	88.5	38.0	8.5	11.0
65	85.0	77.0	96.0	93.5	40.0	8.5	11.0
68	90.0	81.0	100.0	96.5	40.0	9.5	11.3
70	92.0	83.0	103.0	99.5	40.0	9.5	11.3
75	97.0	88.0	110.0	107.0	40.0	9.5	11.3
80	105.0	95.0	116.0	112.0	40.0	10.0	12.0
85	110.0	100.0	124.0	120.0	41.0	10.0	14.0
90	115.0	105.0	131.0	127.0	45.0	10.0	14.0
95	120.0	110.0	136.0	132.0	46.0	10.0	14.0
100	125.0	115.0	140.0	137.0	47.0	10.0	14.0

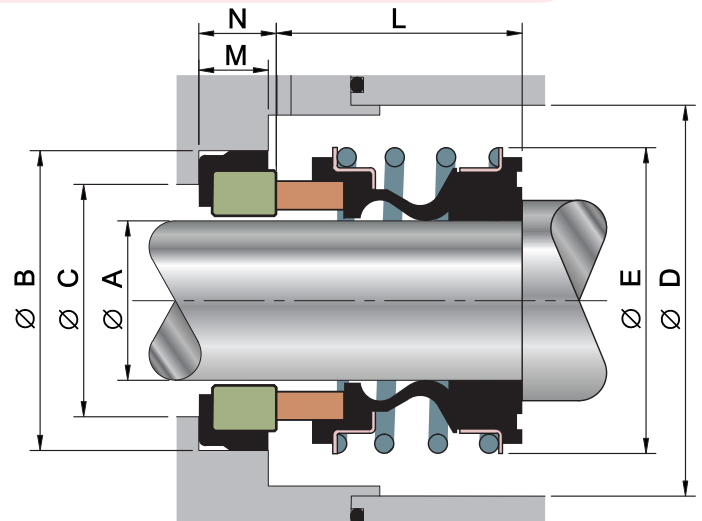
CONDICIONES DE OPERACIÓN

Velocidad: Hasta 3,600 RPM
Presion: 170 PSI (12Kg/cm²)
*Temperatura: -57°C ~ 204°C
*Depende del material del elastómero

OPERATION CONDITIONS

Speed: Up to 3,600 RPM
Pressure: 170 PSI (12Kg/cm²)
*Temperature: -57°C ~ 204°C
*Depends on elastomer material

- Partes Metalicas: Acero Inoxidable 304
Metal Parts: 304 Stainless Steel
- Resorte: Acero inoxidable 304
Spring: 304 Stainless Steel
- Cara: Carbón Grafito, Carburo de Silicio
Rotary Face: Graphite, Silicon Carbide
- Empaque: NBR (Nitrilo®), FKM (Vitón®) EPR (EPDM)
Bellow: NBR (Nitrile®), FKM (Viton®), EPR (EPDM)
- Asiento: Cerámica, Carburo de Silicio
Seat: Ceramic, Silicon Carbide



Se ofrece como estándar con estacionaria tipo G60
Offered as standard with stationary type G60